

AC Transmitter

EL-CUR-10M-5/50A

1. Technical data

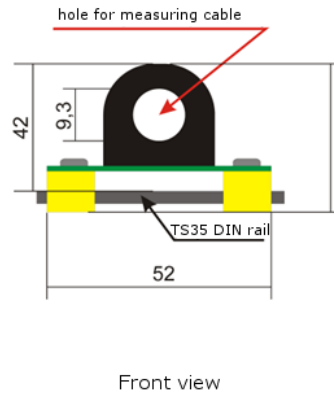
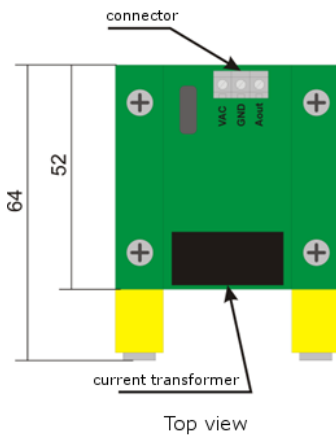


- Dimensions: 52 x 64 x 47 mm
- Supply voltage: 24 V AC/DC +/- 10%
- Power consumption: max. 2 VA
- Measurement range: 5 – 50 A AC
- Output: voltage 0 – 10 V
- Operating temperature: -20 ... 60 °C
- Storage temperature: -40 ... 80 °C
- IP protection: 00
- Mounting: TS 35 DIN rail

2. Description

The AC transmitter is used to measure the AC current in the range of 5 - 50A. It has a voltage output with 0 - 10V. Measuring coefficient k is 0,2 V/A. The AC transmitter is characterized by low power consumption, less than 2VA. It can be used wherever it is necessary to roughly estimate the value of the current flowing in the low voltage circuit max 400 V AC. The maximum diameter of the measuring cable is 9 mm. Measuring cable must be routed through a hole in the current transformer.

3. Drawing



VAC – supply voltage 24V AC/DC
Aout – Analog output 0-10V,
GND – ground

4. Connection scheme

