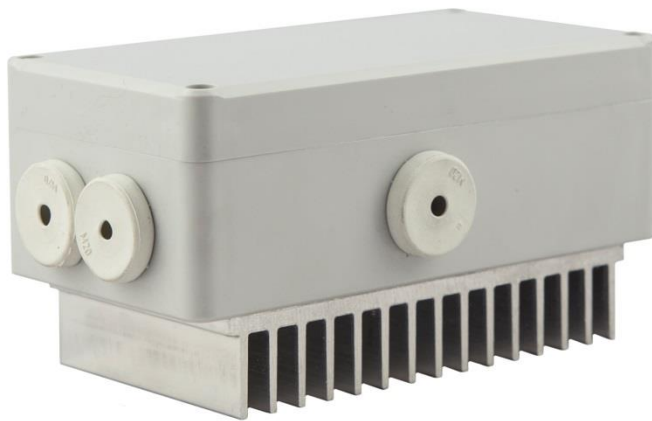


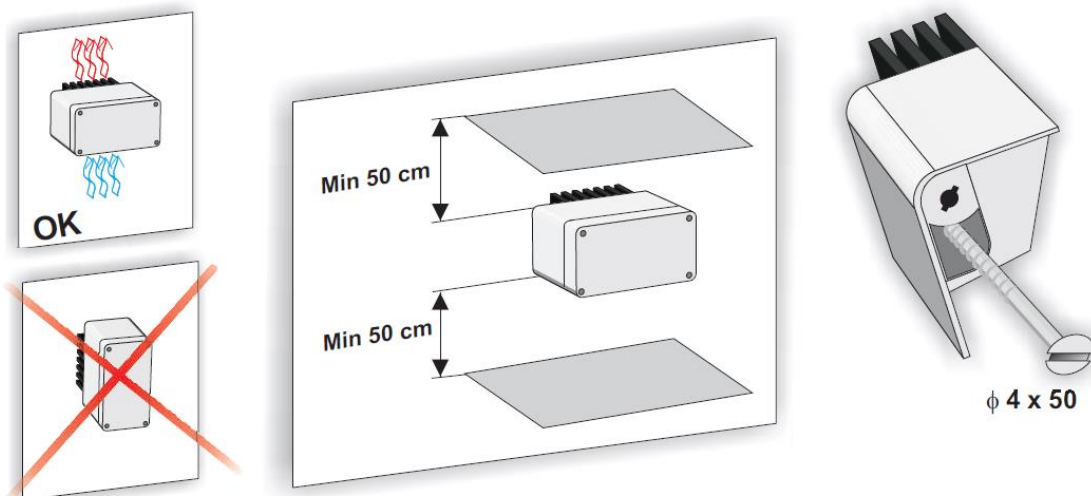
Single phase transistor fan speed controller **TRANSRATE 3A**

1. Technical data

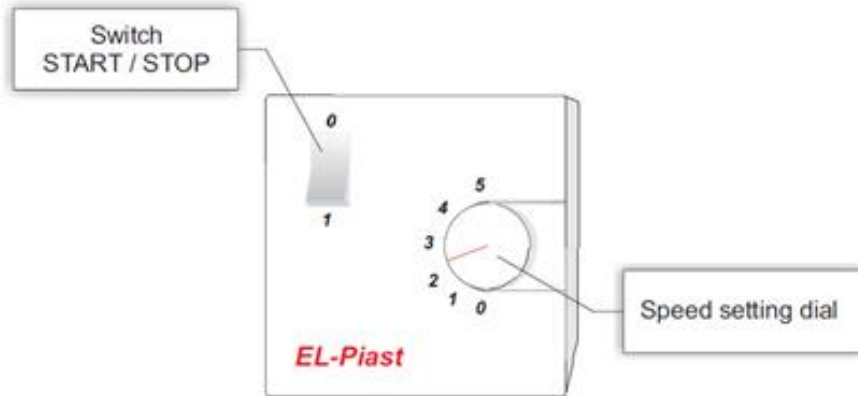


- Dimensions: 162 x 80 x 86 mm
- System: TN
- Supply voltage: 1x230V / 50Hz
+/- 10%
- Output voltage: 23-230 V / 50 Hz
- Maximum load: 3A
- Protection IP: 54
- Ambient temperature: 0 ... 40 °C
- Weight: 0,9 kg

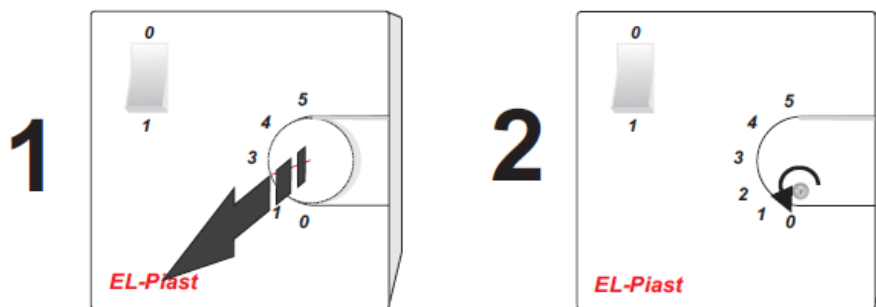
2. Installation



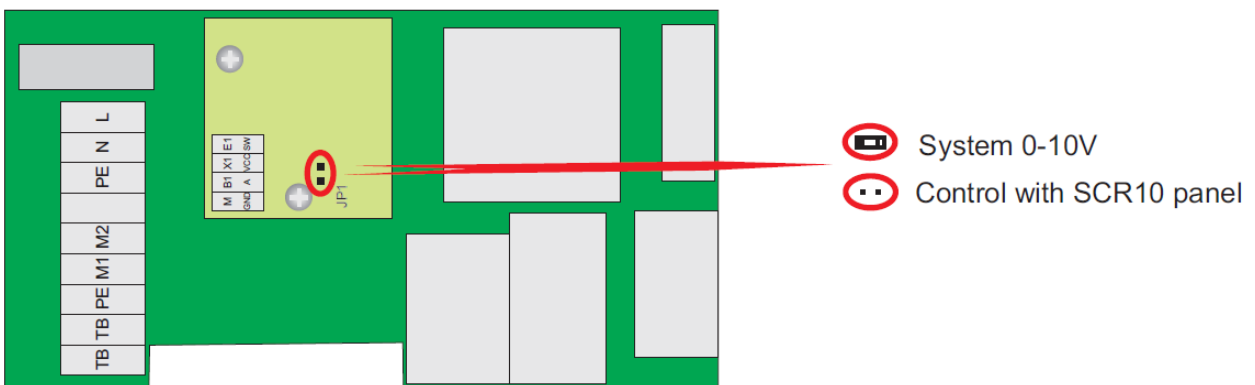
3. SCR10 Panel



4. Cover removal

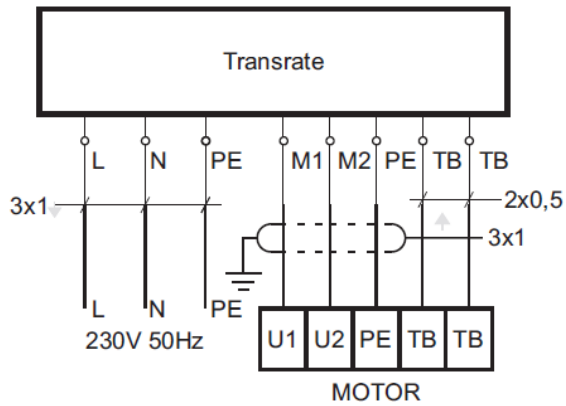


5. Control type selection

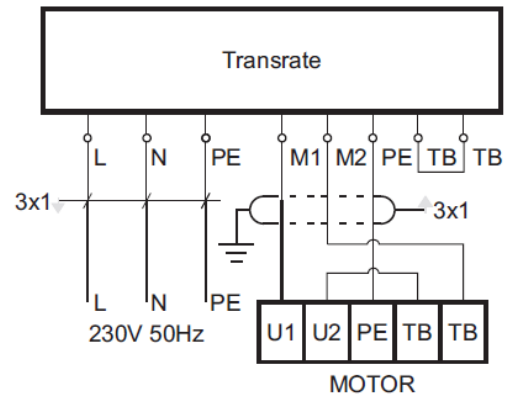


6. Supply and motor connections

Control of internal handling motor thermal protection.



Control of external handling motor thermal protection.



Electrical connections can be done by authorised

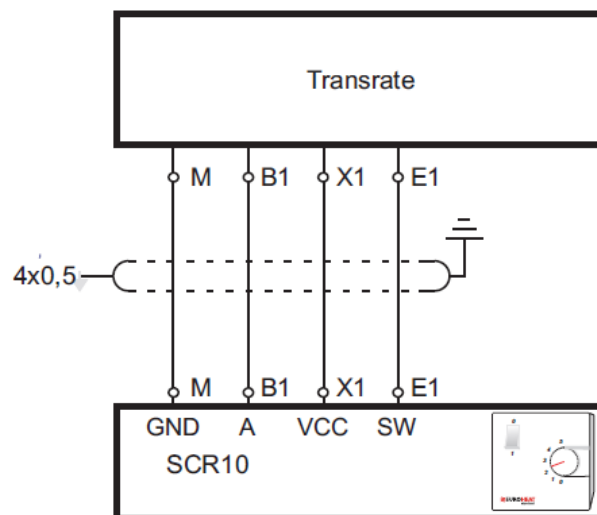


Control and power cables should be separated

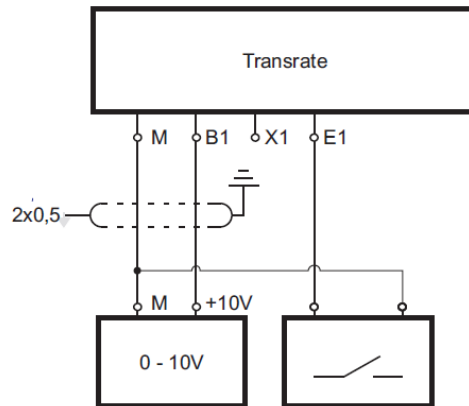


Electric shock risk if PE wire is not connected

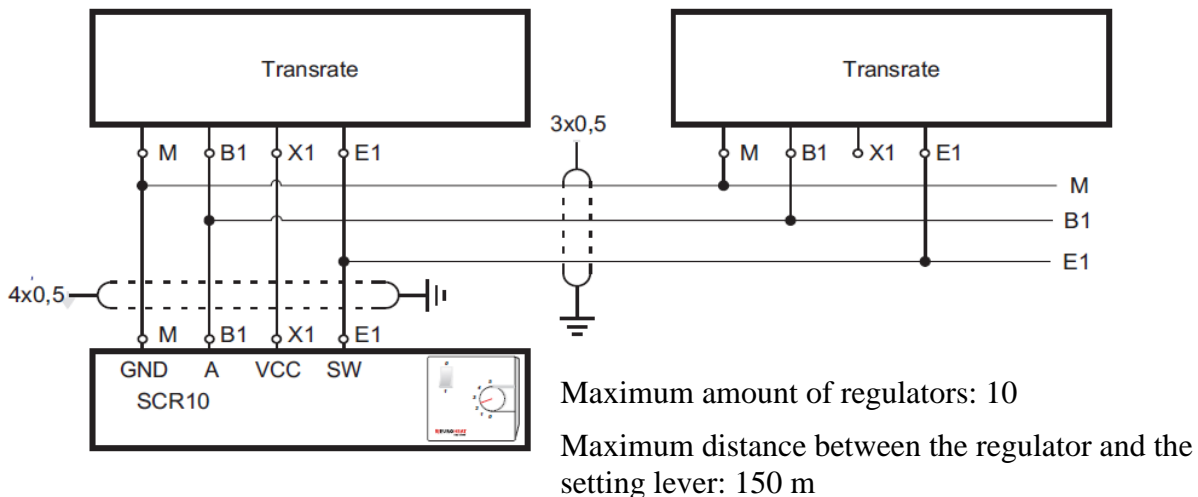
7. SCR10 Panel connection diagram



8. 0-10V control system wiring diagram



9. Connection of few speed controllers with one SCR10 Panel



10. 0-10V control system wiring diagram with several speed controllers

