

Outside temperature sensor series

EL-TS-O-xx

1. Technical data

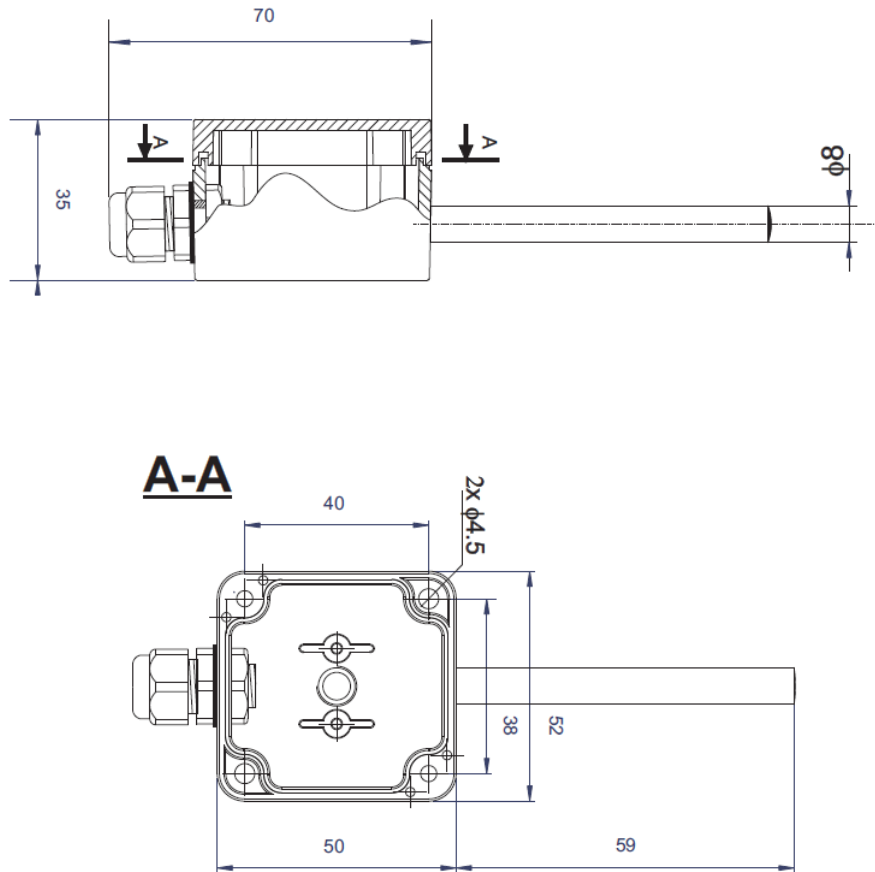


- Dimensions: 50 x 52 x 35 mm
- Probe length: 59 mm
- Probe diameter: 8 mm
- Sensor type: depends on version
- IP: 65
- Work temperature: -20 – 70 °C
- Storage temperature: -20 – 70 °C

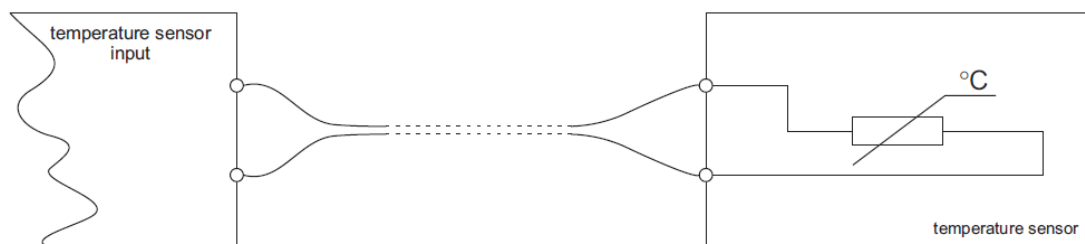
2. Available types of sensors

Type of sensor:	Type of measuring element:
EL-TS-O-01	Resistive Pt100
EL-TS-O-02	Resistive Pt1000
EL-TS-O-03	Digital DS18B20
EL-TS-O-04	Resistive Ni1000
EL-TS-O-05	Resistive NTC 10K

3. Technical drawing



4. Connection



5. Assembly

